



VIKAS INDUSTRIES

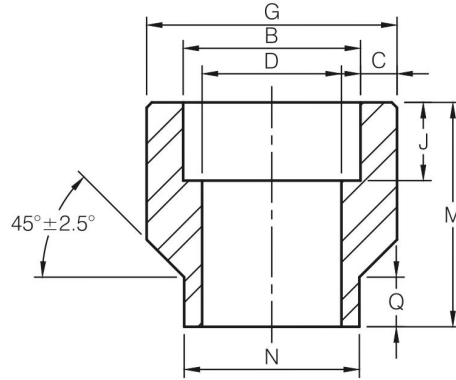
A GOVT. OF INDIA RECOGNISED STAR EXPORT HOUSE



AN ISO 9001: 2015 CERTIFIED COMPANY
A UL LISTED COMPANY

COUPLER

ASME B16.11-2016 (Revision of ASME B16.11-2011)



Dimensions are in millimeters.

Socket Welding										
DN	Nom. Pipe Size	B ⁽²⁾	C ⁽¹⁾		D ⁽²⁾	J (Min)	N	Q	M	G
			(Avg)	(Min)						

3000Lb

8	1/4	14.2	3.78	3.30	9.3	9.5	17.5	9.5	30.2	23.8
10	3/8	17.6	4.01	3.50	12.6	9.5	20.7	9.5	30.2	27.0
15	1/2	21.8	4.67	4.09	15.8	9.5	23.8	9.5	33.4	33.4
20	3/4	27.2	4.90	4.27	21.0	12.5	27.0	9.5	34.9	38.1
25	1	33.9	5.69	4.98	26.7	12.5	33.4	9.5	42.9	46.1
32	1-1/4	42.7	6.07	5.28	35.1	12.5	42.9	9.5	47.6	55.6
40	1-1/2	48.8	6.35	5.54	40.9	12.5	49.2	9.5	50.8	63.5
50	2	61.2	6.93	6.04	52.5	16.0	61.9	9.5	57.2	79.4
65	2-1/2	73.9	8.76	7.67	62.7	16.0	73.0	9.5	63.5	92.1
80	3	89.8	9.52	8.30	78.0	16.0	88.9	9.5	69.9	111.1
100	4	115.2	10.69	9.35	102.3	19.0	114.3	9.5	76.2	141.3

6000Lb

8	1/4	14.2	4.60	4.01	6.4	9.5	17.5	9.5	30.2	25.4
10	3/8	17.6	5.03	4.37	9.2	9.5	20.7	9.5	30.2	31.8
15	1/2	21.8	5.97	5.18	11.8	9.5	23.8	9.5	33.4	38.1
20	3/4	27.2	6.96	6.04	15.6	12.5	27.0	9.5	34.9	44.5
25	1	33.9	7.92	6.93	20.7	12.5	33.4	9.5	42.9	57.2
32	1-1/4	42.7	7.92	6.93	29.5	12.5	42.9	9.5	47.6	63.5
40	1-1/2	48.8	8.92	7.80	34.0	12.5	49.2	9.5	50.8	76.2
50	2	61.2	10.92	9.50	42.9	16.0	61.9	9.5	57.2	92.1

ASME B16 11-2016

DIMENSIONAL TOLERANCE OF ASME B16.11

Unit : mm

Item	N	Q	M	E
1/4"~1-1/2"	+1.5/-0.0	±0.8	+0.8/-0.0	+1.5/-0.0
2"~4"	+1.5/0.0	±0.8	+1.5/-0.0	+1.5/-0.0

(1) Average of socket wall thickness around periphery shall be no less than listed values. The minimum values are permitted in localize areas.

(2) Tolerance see page 14